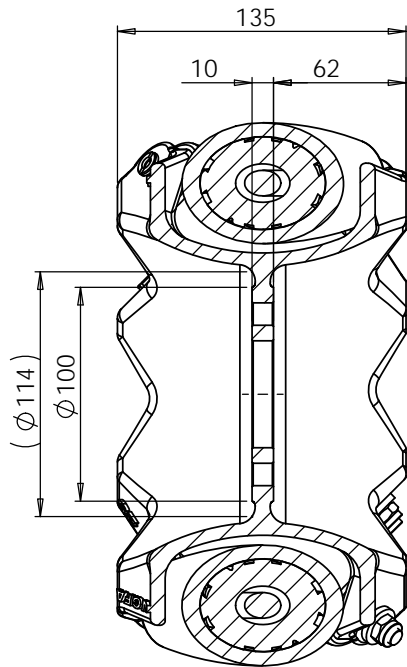
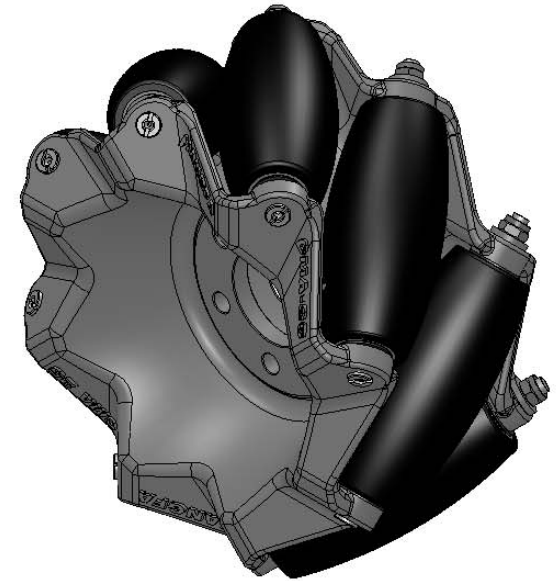
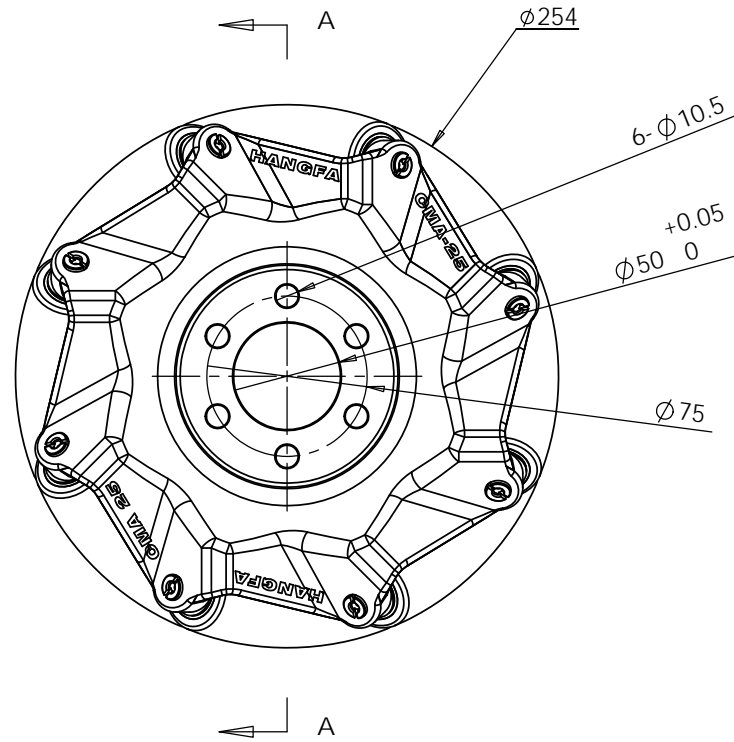


Unit: mm



A-A
1: 2.5



CMA-25 Omniwheel

Diameter: 254
Width: 135
Maximum load: 400kg

Number of rollers: 8
Bearing: rolling bearings
Roller material: polyurethane
Hub material: steel
Mount: 6-M10
Weight: 12.5Kg

Patent protected

* Two types exist: CMA-25-L、CMA-25-R

UNLESS OTHERWISE SPECIFIED: DIMENSIONS ARE IN MILLIMETERS		FINISH:		DEBUR AND BREAK SHARP EDGES		DO NOT SCALE DRAWING		REVISION	
SURFACE FINISH:						HANGFA CO.,LTD		TITLE: CMA-25 OMNI WHEEL	
TOLERANCES:									
LINEAR:									
ANGULAR:									
DRAWN	NAME	SIGNATURE	DATE						
CHK'D									
APP'VD									
MFG									
Q.A						MATERIAL:		DWG NO. HFOXLCMA25	A3
						WEIGHT:		SCALE:1:5	SHEET 1 OF 1